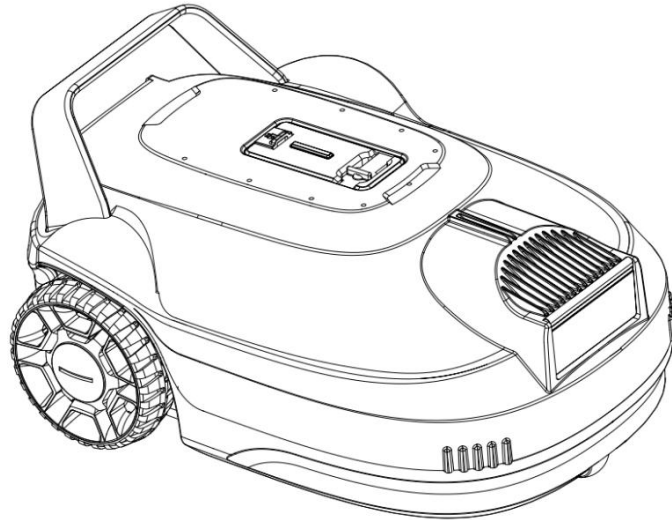


# ROBOT POOL CLEANER



# Contents

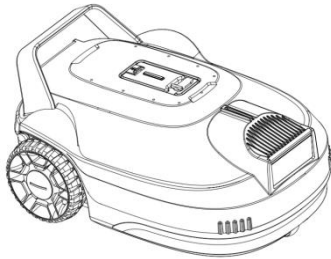
Important Precautions	-	.....	-	01
Packaging List	.	.....		02
Product Structure	.	.....		03
Operation	-	.....	-	04
FAQ	.	.....		08
Specification	.	.....		09
Warranty Information	-	.....	-	09
List of Replacement Parts	.	.....	-	09

# Important Precautions

1. Read the manual carefully and use the machine accordingly. We shall not be liable for any loss or injury caused by improper use.
2. Use only accessories recommended or sold by the manufacturer.
3. This model applies only to swimming pools with flat floors.
4. Due to battery capacity limitations the machine is only applicable to water tanks up to 100 square meters. otherwise cleaning effect will be influenced.
5. Children are not allowed to ride or play with machines.
6. Do not operate the machine when people or animals are in the pool.
7. After use, always clean the Filter.
8. Shut down the machine during maintenance, cleaning or non-use.
9. Only certified professionals shall disassemble the sealing parts of the machine.
10. Do not remove the clips to open the machine while the swimming pool is open.
11. The seal of the motor contains grease. If the leakage is serious, it may cause water pollution
12. If the machine needs to be stored for a long time , the battery/shall be charged once every month to keep the battery life  
Between 40% and 60% . If the machine does not charge for a long time, the battery voltage will be lower than the over discharge protection voltage due to the discharge of the battery, which may cause damage to the battery.Please use only the original authorized power adapter.
13. Do not pierce the machine shell with nails or other sharp objects, Do not hammer or throw the machine charging socket before charging.
14. When charging, connect the charging adapter to the anti-leakage and corrosion-proof socket.
15. When charging, please place the machine indoors or in a cool and dry place, and do not cover anything on the machine prevent over heating from damaging internal electrical parts.
16. In order to make better use of this product,Ensure keep dry while charging
17. The machine shall be stored in a cool and ventilated place away from direct sunlight.Do not use or store the machine near the heat source.

# What Is In The Box?

1. Pool Vacuum Robot x 1pc
2. Adapter x 1pc
3. Floating Bracelet x 1pc
4. User manual x 1pc
5. Packing list



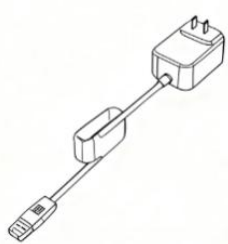
ROBOT POOL CLEANER



Packing List



① Robotic Pool Cleaner x1



② Power adapter x1

③ User manual x1

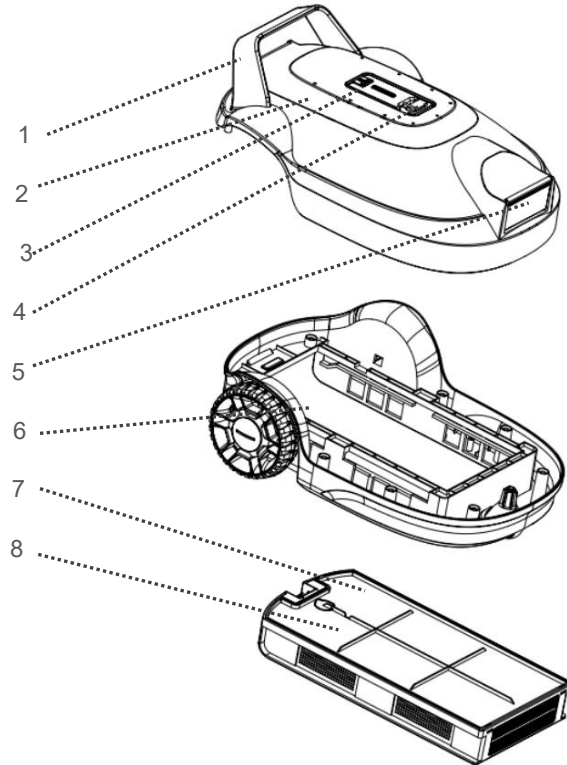
④ Floating rope x1



All machines undergo 100% water testing before shipping to ensure proper functionality. Therefore, water droplets may be found inside the packaging.

# Structure Of Pool Vacuum Robot

- 1 The Handle
- 2 Top Cover
- 3 Power on Button
- 4 Charging Port
- 5 Water Outlet
- 6 Wheel
- 7 Cartridge Release Button
- 8 Filter and Cartridge

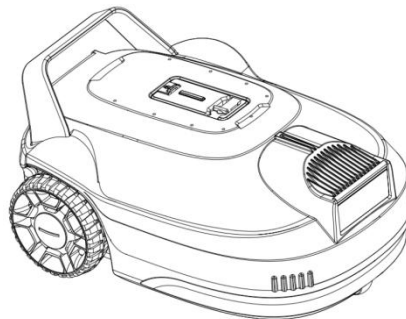
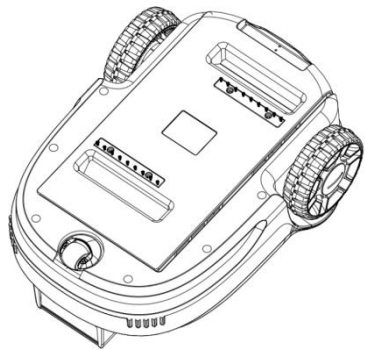


# Operation

## 1. Precautions

Handhold the handle of the machine and put the machine into the pool at an angle of 45 degrees to avoid roll. Take out the device from pool once it parking at side of pools. Avoid shorten the life of the machine by continuously placing it in water.

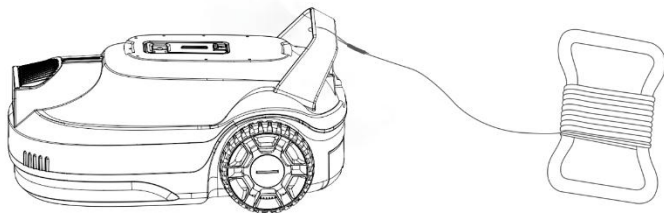
After using the machine, please clean the filter, wheels or other parts. Move out leaves, debries and sands.



## 2. Quick Operation

### a. Install floating Bracelet.

- (1) Adjust the length of towing rope according to the depth of the swimming pool.
- (2) Tie the rope to the position shown in the image.



### b. Charge the battery by the attached adapter in the package before first using the device.

- (1) The white light flashing quickly indicates that it is charging.
- (2) It indicates that the charging is complete when the charging indicator light turns off.

<b>Indicator light</b>	<b>Status on the machine</b>
White light keeps on	Standby (press the power button)
Blue light keeps on	Working
Red light keeps on	Low battery
Flashing White light	Charging

### c. Start the machine

Press the switch and the light turn white with a sound. Now the machine is powered on to be ready to put into the water. In order to let the machine sink to the bottom smoothly, the pool vacuum robot would start working after about 20 seconds and the indicator light turns blue. After pressing the switch button, if the machine is not put into water for operation , the machine will automatically shut down after 5 minutes. Press the switch again to start the machine when you want to restart the pool vacuum robot.

## 3. The function of the water outlet

There are two outlets on the machine. When the machine works normally, one opens and the other is closed, and water flows out of the open water outlet, pushing the machine forward.

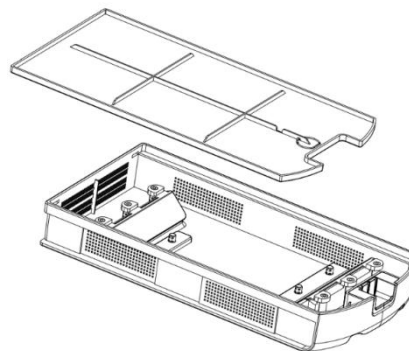
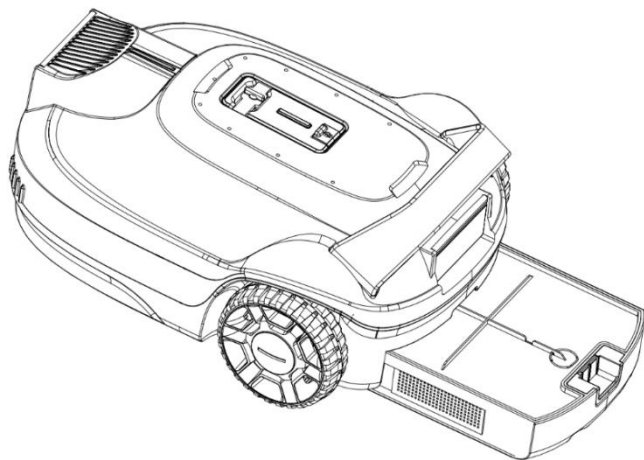
## 4. Cleaning of filter

a. Pull the drawer at the tail of the machine

b. Take off the filter

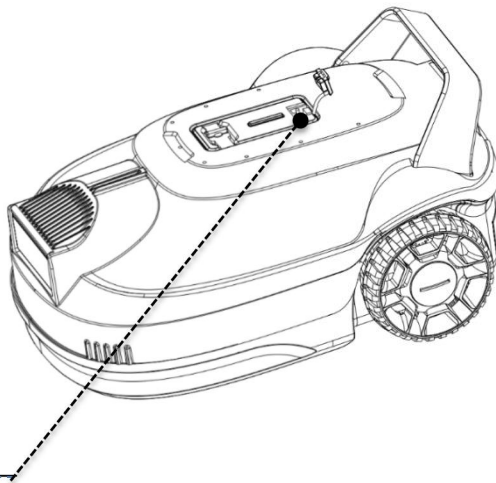
c. Flush filter

d. Reassemble the drawer



## 5. The charging port

- Wipe the charging pin clean and try with tissue or cotton swab before charging with the attached adapter for device longevity.
- The charging pin material is stainless steel 316. Wipe it clean before use
- If don't use it after summer, please make sure to charge it by every month.



The Charging Port

# FAQ

## **Q1. What color is the indicator light when the machine is operating?**

1. The stable blue indicator light indicates that the machine starts normally and running normally.
2. The red indicator keeps on indicates that the battery is low. Please charge the machine.

## **Q2. Why there is no response after turning on the machine , and how can I solve the problem?**

1. Check whether the battery is completely discharged before use. Please ensure the machine is fully charged before turning it on and then check if it can operate normally
2. If you find that the machine cannot charge properly, please check whether the adapter port or the charging pin port is rusty. Please wipe it clean before charging.
3. Please contact customer support to for further trouble shooting

## **Q3. Press the power button and the white light is on, waiting more than 20 seconds, why the machine is not started after putting into the pool?**

1. Stop the machine, and check whether the machine is jammed with other objects.
2. Contact customer support to replace the accessories if the above troubleshooting is not working.

## **Q4. What color is the indicator light on when the adapter is charging?**

Please note that during the charging process , there are two status indications on the indicator light on the machine. The flashing white light indicates that it is charging, and a white light off indicates that it is fully charged.

## **Q5. How to deal with the slow running speed of the machine and less suction?**

1. Check whether the water outlet is blocked by sundries in the machine , and check whether the filter is too dirty.
2. It is recommended to dean it manually first , and then use the machine for daily maintenance.
- 3 .It is recommended to dean the fine every time before and after using the machine.
4. After using the machine every time , it is recommended to charge the machine.

## **Q6. Why the device stopped and the light is shut down when the device is working in the pool?**

This indicates the device crashed. Please take out the device from pool and cleaning the device properly, then charging the device for 10 mins before restarting the device.

## **Q7. The device slows down or back and forward after using a while in dirty pool.**

Please cleaning the filter and cartridge, this is NOT error or fault of the device.

# Specification`

Model		S1	
Rated working vol and age	10.8V	Water Temperature of the pool	50-95.f
Power	36W	PH value of pool water	7.0-7.4
Charging input	100-240V 50/60HZ	Max water depth	2.5m
Charging output	24V/1A	Charging Ambient temperature	41-95.f
Charging time	3.5-4H	Store temperature	32-104.f
Battery capacity	4500mAh	Product size	14.37*10.55*6.85in
Filter	250um	Weight	6.7lb
Waterproof	IPX8	Working time	about 100min

## Warranty Information

1. warranty period is 12 months from the date of initial purchase (the battery is consumables and only has 6 months warranty)
2. If the product is altered, misused or repaired by unauthorized organization or person, the warranty shall be invalid.
3. warranty applies only to manufacturing defects and does not include any damage caused by wrong handling of product by owner.
4. During the warranty period, any claim or repair must be provided with the order number.

## List of Replacement parts

Note:

The consumable parts are out of warranty, you can order the accessories from the store.

E-mail: [info@aquaso.com](mailto:info@aquaso.com)

Website: